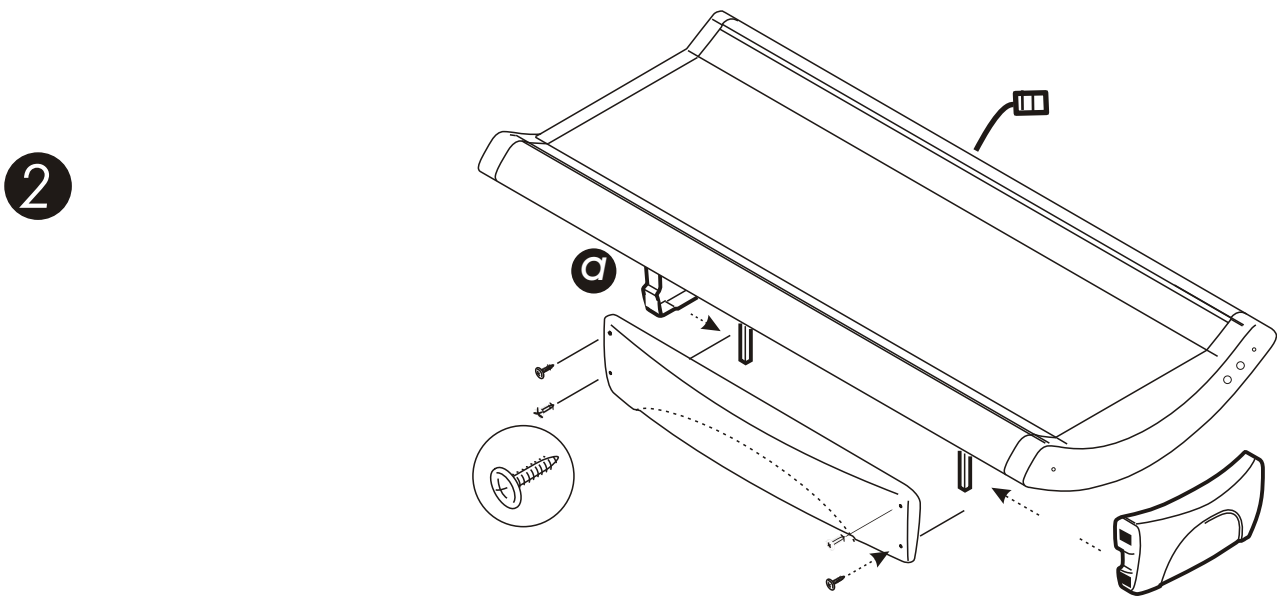
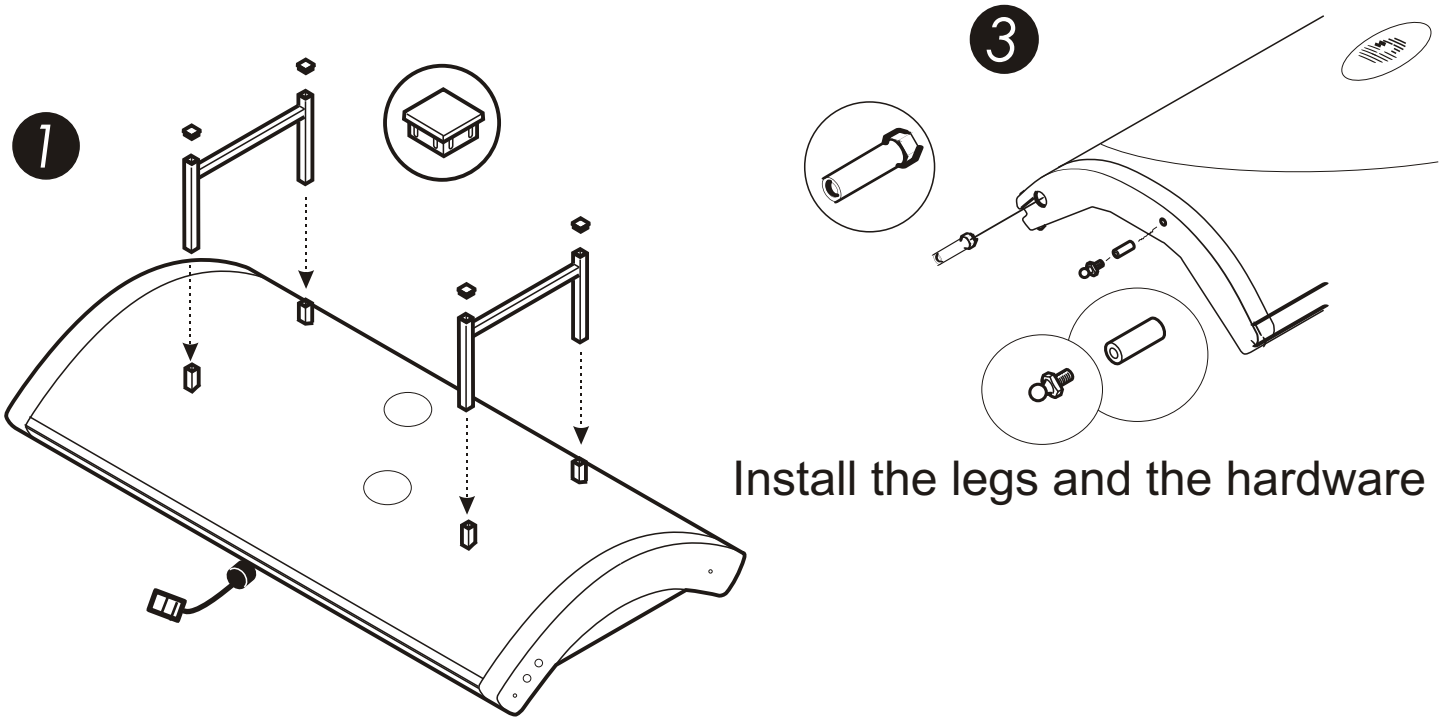
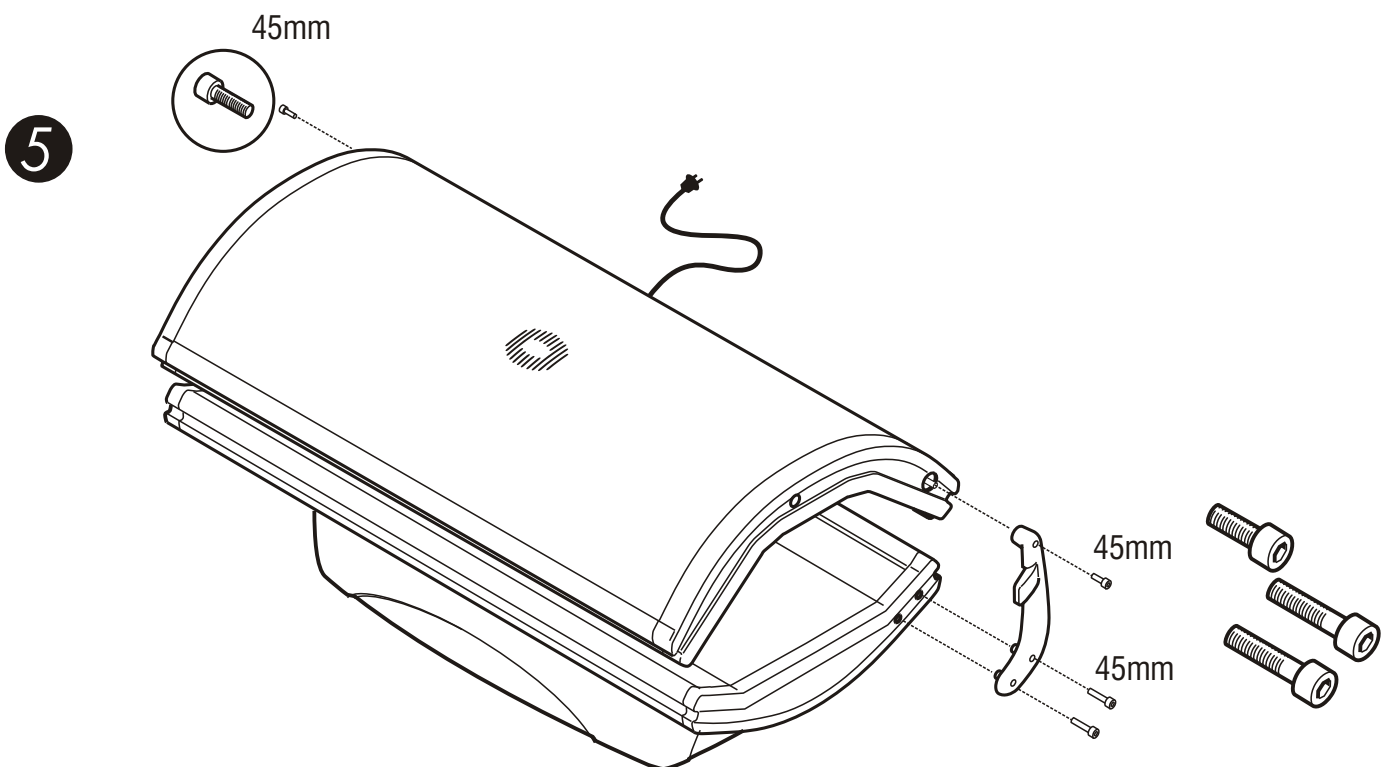
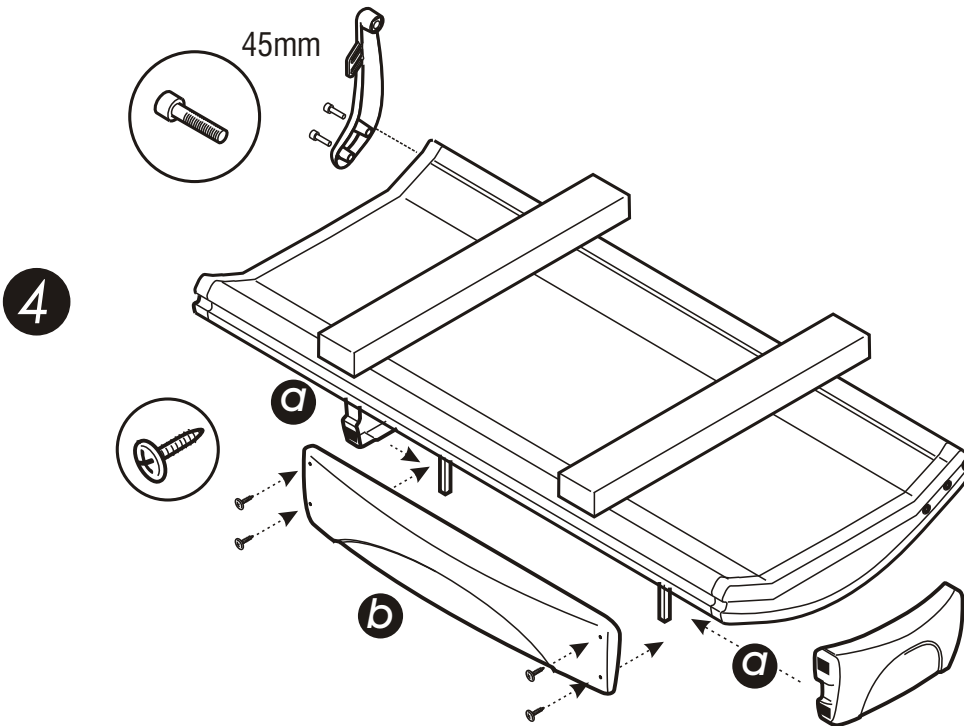


# Assembly



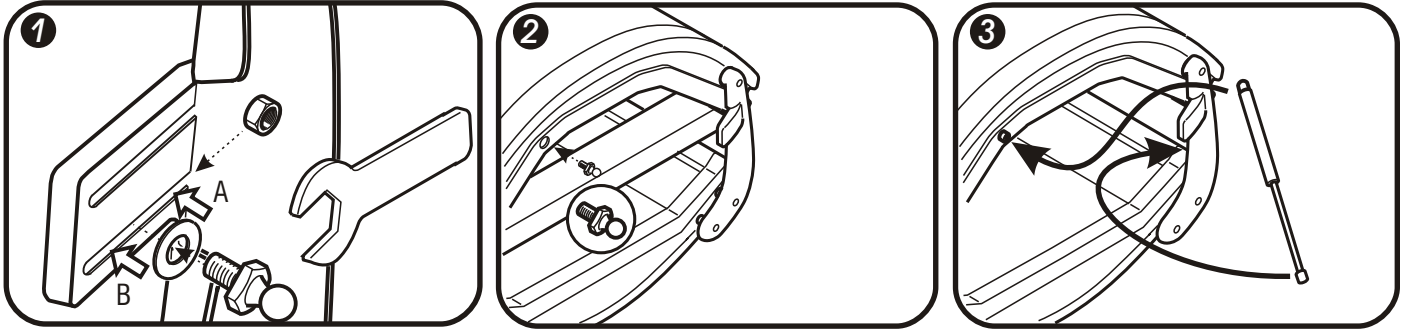
Place the bench and install the base skirt

# Assembly



# Assembly

7



## Gas shock adjustment

Let go of the canopy in a horizontal position.

If the canopy moves up by itself, adjust the ball-end bolts towards 'A'

If the canopy moves down by itself, adjust the ball-end bolts towards 'B'

8

## Removing the acrylic plate

